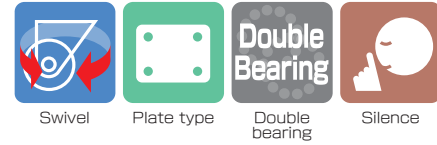
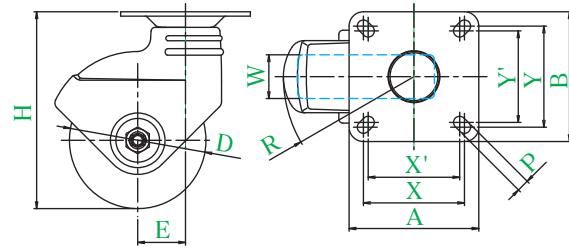


PLJTYPE



PLJ-100NR

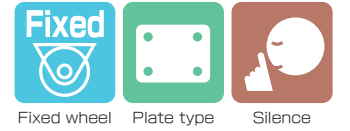


● Description of product number

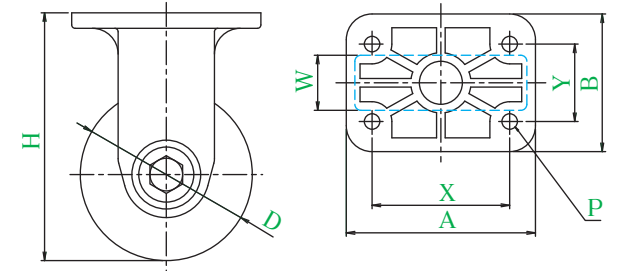
PLJ - 100 NR

Bracket type
Wheel diameter
Wheel type

PLKTYPE



PLK-100NR



● Description of product number

PLK - 100 NR

Bracket type
Wheel diameter
Wheel type

Product number	Wheels										
		Wheel diameter D(mm)	Wheel width W(mm)	Mounting height H(mm)	Mounting base A × B(mm)	Mounting dimensions X × Y(X' × Y') (mm)	Hole diameter P(mm)	Eccentricity E(mm)	Turning radius R(mm)	Allowance load daN(kgf)	Wheel weight (g)
PLJ-100	NR Rubber wheel with nylon wheel assembly (including B)	100	32	144	95 × 95	74 × 74 (67 × 67)	9	35	96	80(81.6)	1015
	GU Urethane wheel with nylon wheel assembly (including B)									80(81.6)	1015
PLJ-130	NR Rubber wheel with nylon wheel assembly (including B)	130	40	177	105 × 105	82 × 82 (75 × 75)	11	38	111	120(122.4)	1320
	GU Urethane wheel with nylon wheel assembly (including B)									120(122.4)	1305

☆ Patent No.4234669 Design No.1240339

Product number	Wheels								
		Wheel diameter D(mm)	Wheel width W(mm)	Mounting height H(mm)	Mounting base A × B(mm)	Mounting dimensions X × Y(mm)	Hole diameter P(mm)	Allowance load daN(kgf)	Wheel weight (g)
PLK-100	NR Rubber wheel with nylon wheel assembly (including B)	100	32	144	110 × 80	80 × 45	9	80(81.6)	570
	GU Urethane wheel with nylon wheel assembly (including B)							80(81.6)	570
PLK-130	NR Rubber wheel with nylon wheel assembly (including B)	130	40	177	130 × 90	100 × 56	11	120(122.4)	840
	GU Urethane wheel with nylon wheel assembly (including B)							120(122.4)	825

☆ Design No.1251354



Bearing is used at top and bottom of the revolving portion (patent pending).

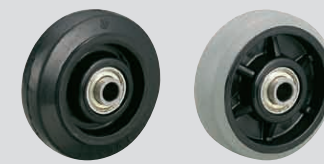
Turn starting force is reduced for 35%.
High impact performance is improved for 35%
(compared to our company's products).

The body is made of nylon.

Radial ball bearing is used for a wheel.

Wheel in use

Refer to P161 for detailed specifications.



NR
Rubber wheel with nylon wheel assembly (including B)

GU
Urethane wheel with nylon wheel assembly (including B)

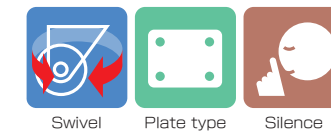
Features of silence caster (for light load) (fixed type)

Use this caster for small carriers!!

- Point 1 Quiet traveling sound!!**
 Noise is reduced for 10dB. (compared to our company's products)
 We recommend this caster for customers who worries about traveling sound.
- Point 2 Turn starting force and rotation start force are light!!**
 Turn starting force is reduced for **65%**. Rotation start force is reduced for **15%**. (compared to our company's products)
- Point 3 Elastomer wheel hardly remains marking on floor surface!!**
 We adopted elastomer wheels that hardly stain the floor surface during traveling.



Silence caster (for light load)



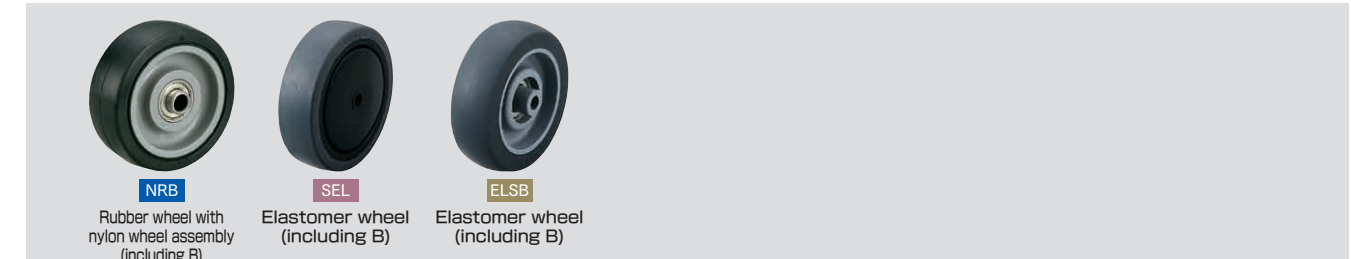
● Description of product number
SFHG - 100 SEL
 Bracket type Wheel diameter Wheel type

Bracket = Trivalent unichrome coating

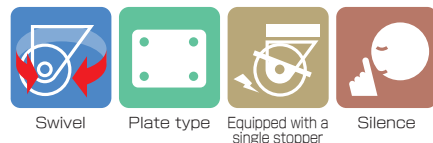
Product number	Wheels	Wheel diameter	Wheel width	Mounting height	Mounting base	Mounting dimensions	Hole diameter	Eccentricity	Turning radius	Allowance load	Wheel weight
		D(mm)	W(mm)	H(mm)	A × B(mm)	X × Y(mm)	P(mm)	E(mm)	R(mm)	daN(kgf)	(g)
EF-65	ELSB Elastomer wheel (including B)	65	20	83	70 × 42	56 × 28	6.5	21	54	30(30.6)	
EF-75	ELSB Elastomer wheel (including B)	75	20	93	70 × 42	56 × 28	6.5	21	59	35(35.7)	
SFHG-75	NRB Rubber wheel with nylon wheel assembly (including B)	75	27	98	70 × 58	55 × 42	8.8	29	67	60(61.2)	
SFHG-100	NRB Rubber wheel with nylon wheel assembly (including B)	100	27	122	100 × 58	82 × 40	8.8	31	81	60(61.2)	
SFHG-100	SEL Elastomer wheel (including B)		28							50(51.0)	

☆ Patent Pending No.2010-012975 Patent No.3442034

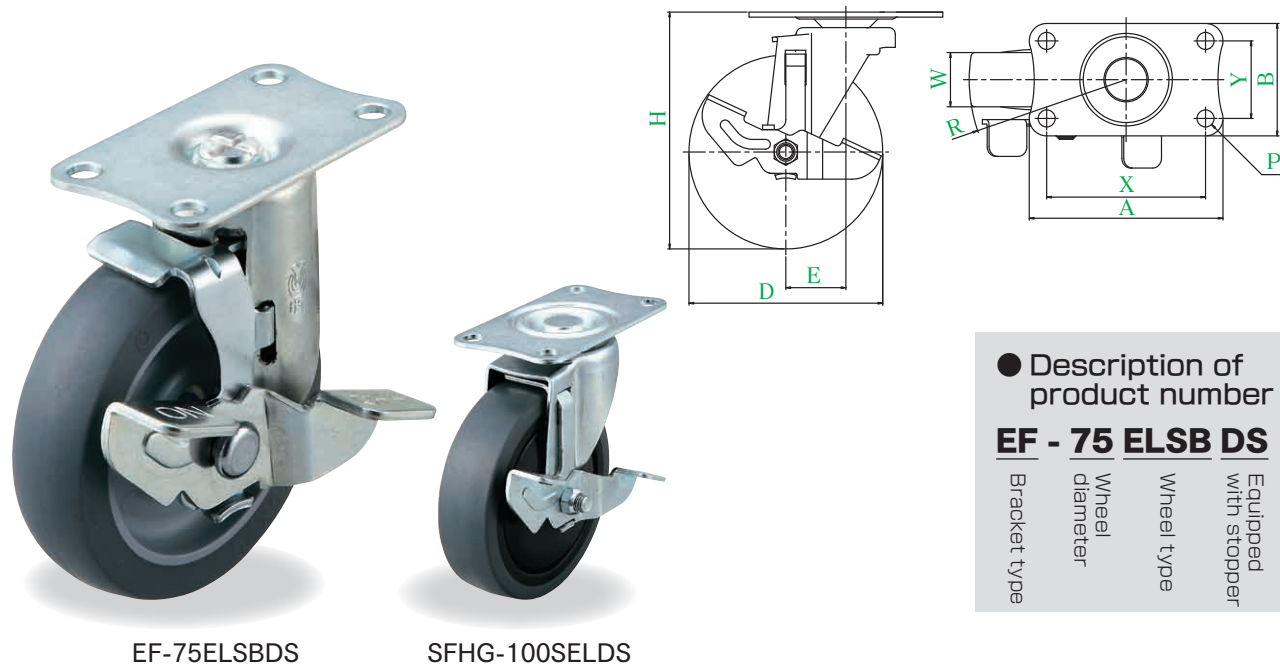
Wheel in use Refer to P161 for detailed specifications.



Silence caster (for light load)



• Equipped with a pedal type single stopper



● Description of product number

EF - 75 ELSB DS

Bracket type
Wheel diameter
Wheel type
Equipped with stopper

EF-75ELSBDS

SFHG-100SELDS

Bracket = Trivalent unichrome coating

Product number	Wheels	Wheel diameter	Wheel width	Mounting height	Mounting base	Mounting dimensions	Hole diameter	Eccentricity	Turning radius	Allowance load	Wheel weight
		D(mm)	W(mm)	H(mm)	A × B(mm)	X × Y(mm)	P(mm)	E(mm)	R(mm)	daN(kgf)	(g)
EF-75 ELSB DS	Elastomer wheel (including B)	75	20	93	70 × 42	56 × 28	6.5	21	61	35(35.7)	
SFHG-75 NRB DS	Rubber wheel with nylon wheel assembly (including B)	75	27	98	70 × 58	55 × 42	8.8	29	71	60(61.2)	
SFHG-100 NRB DS	Rubber wheel with nylon wheel assembly (including B)	100	27	122	100 × 58	82 × 40	8.8	31	81	60(61.2)	
SFHG-100 SEL DS	Elastomer wheel (including B)		28								

● These casters are used for only locking rotation of the wheel.

☆ Patent Pending No.2010-012975 Patent No.3442034

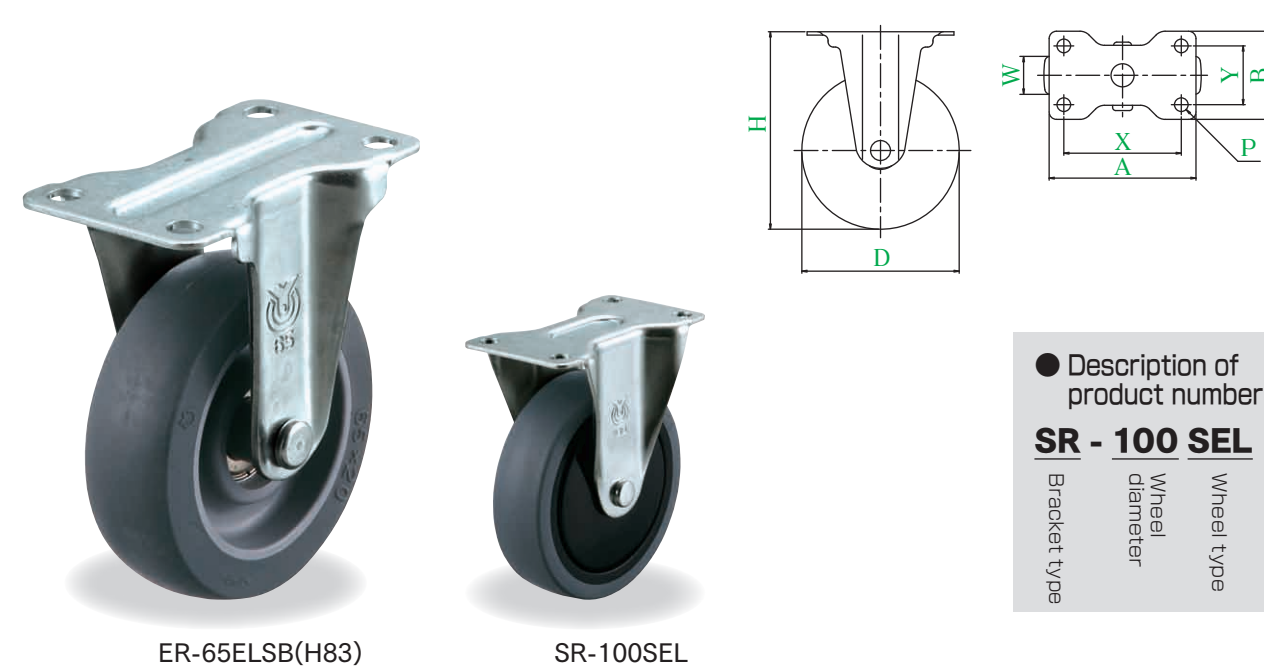
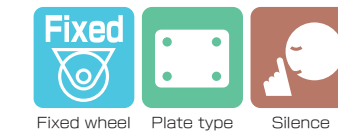
Wheel in use

Refer to P161 for detailed specifications.



NRB Rubber wheel with nylon wheel assembly (including B)
SEL Elastomer wheel (including B)
ELSB Elastomer wheel (including B)

Silence caster (for light load)



● Description of product number

SR - 100 SEL

Bracket type
Wheel diameter
Wheel type

ER-65ELSB(H83)

SR-100SEL

Bracket = Trivalent unichrome coating

Product number	Wheels	Wheel diameter	Wheel width	Mounting height	Mounting base	Mounting dimensions	Hole diameter	Allowance load	Wheel weight
		D(mm)	W(mm)	H(mm)	A × B(mm)	X × Y(mm)	P(mm)	daN(kgf)	(g)
ER-65 ELSB (H83)	Elastomer wheel (including B)	65	20	83	70 × 42	56 × 28	6.5	30(30.6)	
ER-75 ELSB (H93)	Elastomer wheel (including B)	75	20	93	70 × 42	56 × 28	6.5	35(35.7)	
SR-85-75 NRB	Rubber wheel with nylon wheel assembly (including B)	75	27	98	70 × 60	55 × 42	8.8	60(61.2)	
SR-100 NRB	Rubber wheel with nylon wheel assembly (including B)	100	27	122	100 × 58	82 × 40	8.8	60(61.2)	
SR-100 SEL	Elastomer wheel (including B)		28						

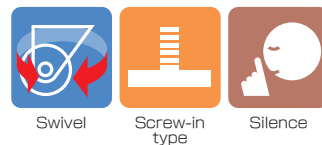
Wheel in use

Refer to P161 for detailed specifications.



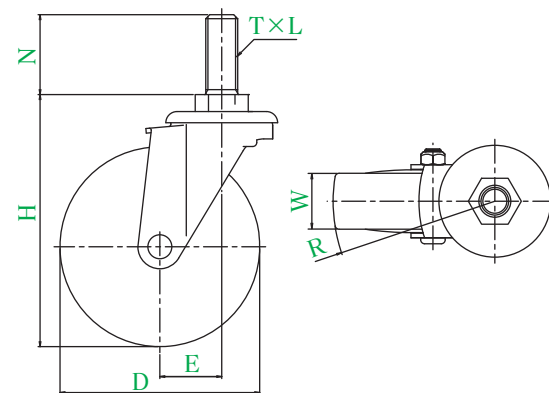
NRB Rubber wheel with nylon wheel assembly (including B)
SEL Elastomer wheel (including B)
ELSB Elastomer wheel (including B)

Silence caster (for light load)



EFT-75ELSB, M12×35

SFHT-100SEL, M16×40



● Description of product number
Please specify screw type and length.

SFHT - 100 SEL , M16 × 40

Bracket type	Wheel diameter	Wheel type	Screw	Length
--------------	----------------	------------	-------	--------

Bracket = Trivalent unichrome coating

Product number	Wheels	Wheel diameter	Wheel width	Mounting height	Screw	Pitch	Length	Opposite side	Eccentricity	Turning radius	Allowance load	Wheel weight
		D(mm)	W(mm)	H(mm)	T	L	N(mm)	M(mm)	E(mm)	R(mm)	daN(kgf)	(g)
EFT-65	ELSB Elastomer wheel (including B)	65	20	87	M12	1.75	35	19	21	54	30(30.6)	
EFT-75	ELSB Elastomer wheel (including B)	75	20	97	M12	1.75	35	19	21	59	35(35.7)	
SFHT-75	NRB Rubber wheel with nylon wheel assembly (including B)		27	102	M16	2	40	23	29	67	60(61.2)	
SFHT-100	NRB Rubber wheel with nylon wheel assembly (including B)	100	27	126	M16	2	40	23	31	81	60(61.2)	
SFHT-100	SEL Elastomer wheel (including B)		28								50(51.0)	

● Allowable load is the allowable load when the stem is screwed in to the end.
★ Refer to P7 for the mounting method.

☆ Patent Pending No.2010-012975 Patent No.3442034

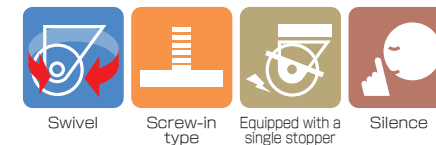
Wheel in use

Refer to P161 for detailed specifications.

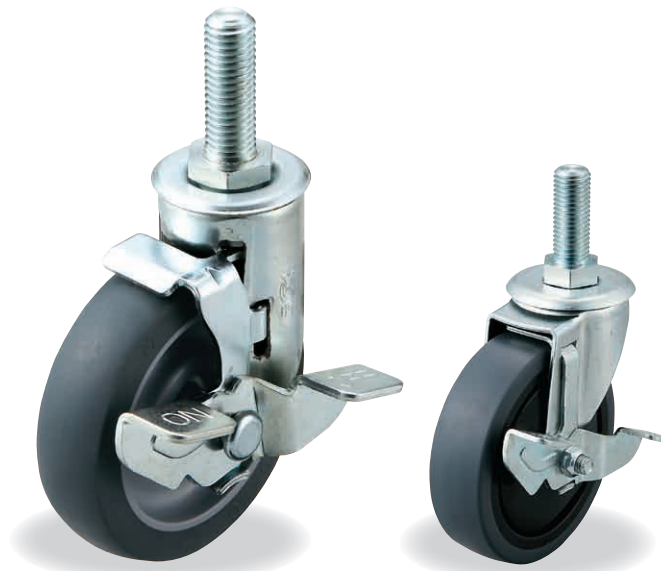


NRB Rubber wheel with nylon wheel assembly (including B)
SEL Elastomer wheel (including B)
ELSB Elastomer wheel (including B)

Silence caster (for light load)

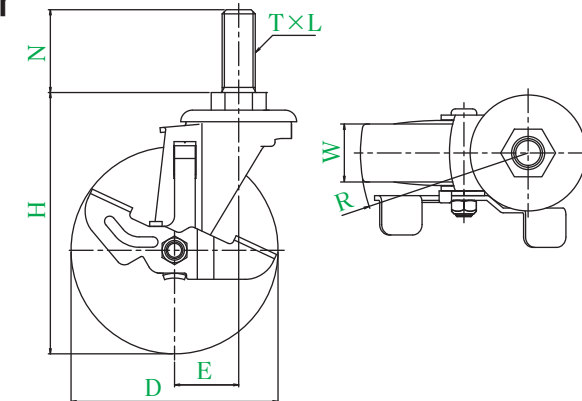


• Equipped with a pedal type single stopper



EFT-75ELSBDS, M12×35

SFHT-100SELDS, M16×40



● Description of product number
Please specify screw type and length.

EFT - 75 ELSB DS , M12 × 35

Bracket type	Wheel diameter	Wheel type	Equipped with stopper	Screw	Length
--------------	----------------	------------	-----------------------	-------	--------

Bracket = Trivalent unichrome coating

Product number	Wheels	Wheel diameter	Wheel width	Mounting height	Screw	Pitch	Length	Opposite side	Eccentricity	Turning radius	Allowance load	Wheel weight
		D(mm)	W(mm)	H(mm)	T	L	N(mm)	M(mm)	E(mm)	R(mm)	daN(kgf)	(g)
EFT-75	ELSB DS Elastomer wheel (including B)	75	20	97	M12	1.75	35	19	21	61	35(35.7)	
SFHT-75	NRB DS Rubber wheel with nylon wheel assembly (including B)		27	102	M16	2	40	23	29	71	60(61.2)	
SFHT-100	NRB DS Rubber wheel with nylon wheel assembly (including B)	100	27	126	M16	2	40	23	31	81	60(61.2)	
SFHT-100	SEL DS Elastomer wheel (including B)		28								50(51.0)	

● These casters are used for only locking rotation of the wheel.
● Allowable load is the allowable load when the stem is screwed in to the end.
★ Refer to P7 for the mounting method.

☆ Patent Pending No.2010-012975 Patent No.3442034

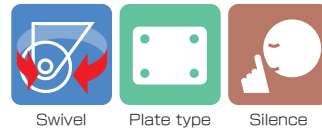
Wheel in use

Refer to P161 for detailed specifications.

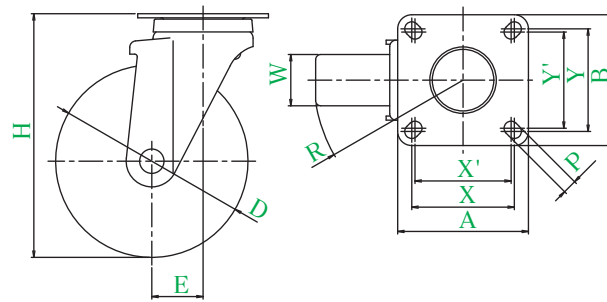


NRB Rubber wheel with nylon wheel assembly (including B)
SEL Elastomer wheel (including B)
ELSB Elastomer wheel (including B)

Silence caster (industrial)



WFJF-200



Bracket = Trivalent unichrome coating

Product number	Wheels	Wheel diameter	Wheel width	Mounting height	Mounting base	Mounting dimensions	Hole diameter	Eccentricity	Turning radius	Allowance load	Wheel weight
		D(mm)	W(mm)	H(mm)	A × B(mm)	X × Y(X' × Y') (mm)	P(mm)	E(mm)	R(mm)	daN(kgf)	(g)
SJF-100	NR	100	32	132	90 × 90	71 × 71 (68 × 68)	11	32	82	100(102.0)	
NR	J2F-130	130	40	170	102 × 102	80 × 80 (75 × 75)	11	40	105	160(163.2)	
NR	J2F-150	150	40	190	102 × 102	80 × 80 (75 × 75)	11	40	115	180(183.6)	
WF	JF-200	200	43	250	140 × 140	115 × 115 (105 × 105)	11.5	56	156	200(204.0)	

☆ Patent No.3442034

Wheel in use

Refer to P161 for detailed specifications.



WF

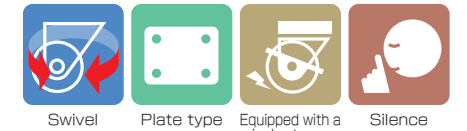
Rubber wheel with steel plate wheel assembly (including B)



NR

Rubber wheel with nylon wheel assembly (including B)

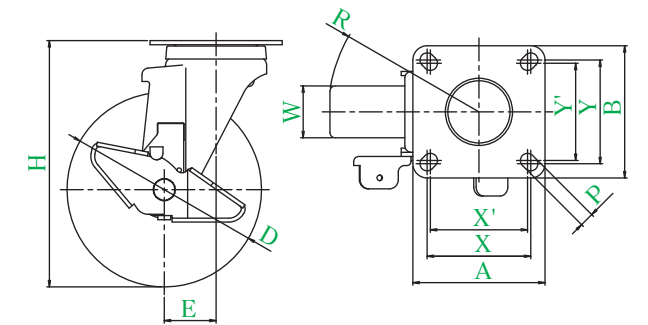
Silence caster (industrial)



• Equipped with a pedal type single stopper



NRJ2F-150



Bracket = Trivalent unichrome coating

Product number	Wheels	Wheel diameter	Wheel width	Mounting height	Mounting base	Mounting dimensions	Hole diameter	Eccentricity	Turning radius	Allowance load	Wheel weight
		D(mm)	W(mm)	H(mm)	A × B(mm)	X × Y(X' × Y') (mm)	P(mm)	E(mm)	R(mm)	daN(kgf)	(g)
SJF-100	NR S	100	32	132	90 × 90	71 × 71 (68 × 68)	11	32	86	100(102.0)	
NR	J2F-130 S	130	40	170	102 × 102	80 × 80 (75 × 75)	11	40	108	160(163.2)	
NR	J2F-150 S	150	40	190	102 × 102	80 × 80 (75 × 75)	11	40	115	180(183.6)	

● These casters are used for only locking rotation of the wheel.

☆ Patent No.3442034

Wheel in use

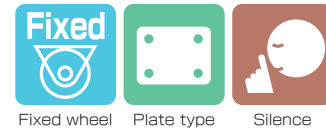
Refer to P161 for detailed specifications.



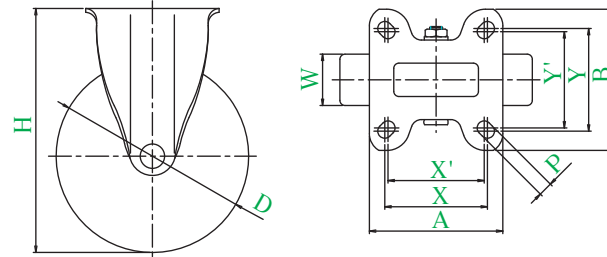
NR

Rubber wheel with nylon wheel assembly (including B)

Silence caster (industrial)



WFK-200



Bracket = Trivalent unichrome coating

Product number	Wheels								
		Wheel diameter D(mm)	Wheel width W(mm)	Mounting height H(mm)	Mounting base A × B(mm)	Mounting dimensions X × Y (X' × Y') (mm)	Hole diameter P(mm)	Allowance load daN(kgf)	Wheel weight (g)
SK-100	NRF	100	32	132	110 × 75	90 × 50 (80 × 45)	11	100(102.0)	
	NRF	130	40	170	102 × 102	80 × 80 (75 × 75)	11	160(163.2)	
	NRF	150	40	190	104 × 110	80 × 80 (75 × 75)	11	180(183.6)	
	WF	200	43	250	151 × 102	112 × 63	11.5	200(204.0)	

Wheel in use

Refer to P161 for detailed specifications.



WF

Rubber wheel with steel plate wheel assembly (including B)



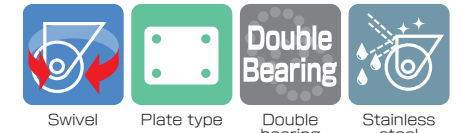
NRF

Rubber wheel with nylon wheel assembly (including B)

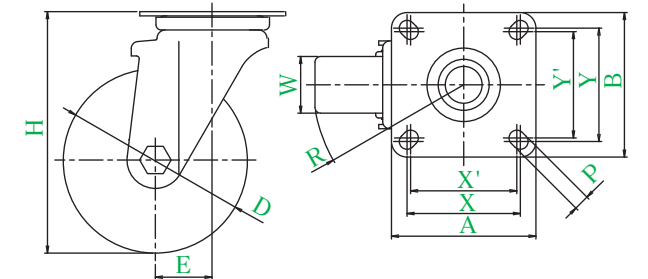
SUS-J₂ TYPE



There are some non-conforming products.



SUS-NJ₂-150



Description of product number

SUS - N J₂ - 150

Bracket type
Wheel type
Bracket type
Wheel diameter

Bracket = Stainless steel

Product number	Wheels																		
		Wheel diameter D(mm)	Wheel width W(mm)	Mounting height H(mm)	Mounting base A × B(mm)	Mounting dimensions X × Y (X' × Y') (mm)	Hole diameter P(mm)	Eccentricity E(mm)	Turning radius R(mm)	Allowance load daN(kgf)	Wheel weight (g)								
SUS-	NR	130	40	170	102 × 102	80 × 80 (75 × 75)	11	40	105	160(163.2)	1365								
	N									150(153.0)	1330								
	GU									160(163.2)	1400								
	NR									150	40	190	102 × 102	80 × 80 (75 × 75)	11	40	115	180(183.6)	1490
	N																	160(163.2)	1410
	GU																	180(183.6)	1470

Wheel in use

Refer to P162 for detailed specifications.



NR

Rubber wheel with nylon wheel assembly (including B)



N

Nylon wheel (including B)



GU

Urethane wheel with nylon wheel assembly (including B)