

HSG-S Type ϕ 50 65 75

Swivel

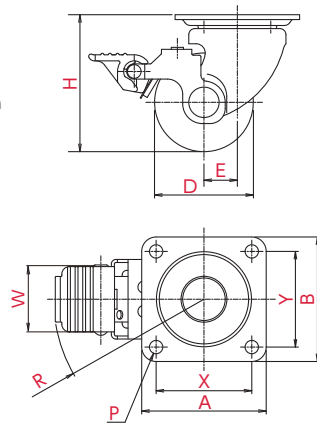
Plate Type

BZP (Brilliant Zinc Plating) CP (Chromium Plating)

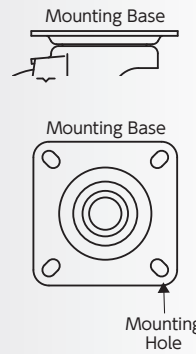
Single Bearing Double Bearing
Single Stopper Double Stopper



HSG-75GNBS



Mounting Method **Plate Type**



Usage

- Flat Trolley
- Hand Trolley
- Server Rack
- Roll Box Pallet
- Towing Trolley
- Office Chair
- Machinery and equipment
- Copying Machine
- Furniture
- Display Rack
- Refrigeration and cold storage showcase
- Others

Use together with **Fixed**

The picture is a typical product image.

Order Example: **HSG** - **75** | **GNB** | **S**
Bracket Type | Wheel Diameter | Wheel Type | Stopper



Wheel Diameter (D[mm])	Product No.	Wheel Material	Load Capacity [daN (kgf)]	Wheel Width (W[mm])	Mounting Height (H[mm])	Mounting Base (AxB[mm])	Mounting Dimensions (XxY (X'xY') [mm])	Hole Diameter (P[mm])	Eccentricity (E[mm])	Turning Radius (R[mm])
50	HSG-50GFBBS	Reinforced Nylon(Including B)	300(306.0)	38	79	82x82	63x63	8.8	22	91
	HSG-50MCS	Monomer Cast Nylon(Including B)								
	HSG-50MCES	Conductive Monomer Cast Nylon(Including B)								
	HSG-50AUS	PU(Including B)								
	HSG-50PBS	Phenol(Including B)								
65	HSG-65GNBS	Reinforced Nylon(Including B)	300(306.0)	38	90	82x82	63x63	8.8	22	99
	HSG-65MCS	Monomer Cast Nylon(Including B)								
	HSG-65MCES	Conductive Monomer Cast Nylon(Including B)								
	HSG-65AUS	PU(Including B)								
	HSG-65PBS	Phenol(Including B)								
75	HSG-75GNBS	Reinforced Nylon(Including B)	300(306.0)	38	100	82x82	63x63	8.8	22	103
	HSG-75MCS	Monomer Cast Nylon(Including B)								
	HSG-75MCES	Conductive Monomer Cast Nylon(Including B)								
	HSG-75AUS	PU(Including B)								
	HSG-75PBS	Phenol(Including B)								



- 
GNB
Wheel: Reinforced Nylon
Tread: Reinforced Nylon (Including B)
- 
GFB
Wheel: Reinforced Nylon
Tread: Reinforced Nylon (Including B)
- 
MC
Wheel: Monomer Cast Nylon
Tread: Monomer Cast Nylon (Including B)
- 
MCE
Wheel: Conductive Monomer Cast Nylon
Tread: Conductive Monomer Cast Nylon (Including B)
- 
AU
Wheel: Aluminum
Tread: PU (Including B)
- 
PB
Wheel: Phenol
Tread: Phenol (Including B)

LIGHT STAR Light Duty
 MIDDLE STAR Medium Duty
 HEAVY STAR Heavy Duty
 SHORT STAR Low-Profile Heavy Duty
 LOCK STAR Leveling
 STAINLESS STAR Stainless Steel
 LEAD STAR Towing
 SMOO STAR Shock Absorbing
 SILENT STAR Silence
 OFFICE STAR Office Equipment