

CAL-HG Type ϕ 65 75

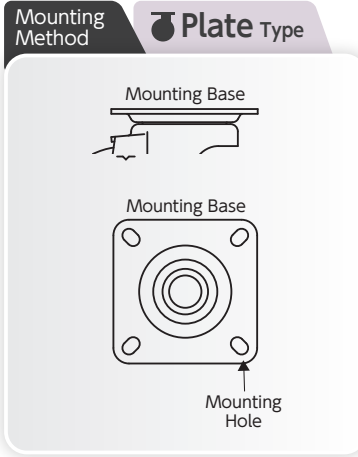
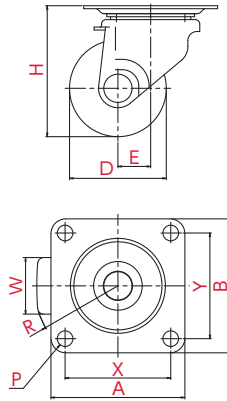
Swivel

Plate Type

| | |
|------------------------------|-----------------------|
| BZP (Brilliant Zinc Plating) | CP (Chromium Plating) |
| Single Bearing | Double Bearing |
| Single Stopper | Double Stopper |



CAL-HG-75MC



- Usage**
- Flat Trolley
 - Hand Trolley
 - Server Rack
 - Roll Box Pallet
 - Towing Trolley
 - Office Chair
 - Machinery and equipment
 - Copying Machine
 - Furniture
 - Display Rack
 - Refrigeration and cold storage showcase
 - Others

The picture is a typical product image.

Order Example: **CAL-HG** | **-** | **75** | **MC**
Bracket Type | Wheel Diameter | Wheel Type

| Wheel Diameter (D[mm]) | Product No. | Wheel Material | Load Capacity [daN (kgf)] | Wheel Width (W[mm]) | Mounting Height (H[mm]) | Mounting Base (AxB[mm]) | Mounting Dimensions (XxY (X'xY') [mm]) | Hole Diameter (P[mm]) | Eccentricity (E[mm]) | Turning Radius (R[mm]) |
|------------------------|--------------|--|---------------------------|---------------------|-------------------------|-------------------------|--|-----------------------|----------------------|------------------------|
| 65 | CAL-HG-65GNB | Reinforced Nylon(Including B) | 300(306.0) | 38 | 88 | 90x90 | 71x71 | 10.5 | 22 | 57 |
| | CAL-HG-65MC | Monomer Cast Nylon(Including B) | | | | | | | | |
| | CAL-HG-65MCE | Conductive Monomer Cast Nylon(Including B) | | | | | | | | |
| | CAL-HG-65AU | PU(Including B) | | | | | | | | |
| | CAL-HG-65PB | Phenol(Including B) | | | | | | | | |
| 75 | CAL-HG-75GNB | Reinforced Nylon(Including B) | 300(306.0) | 38 | 98 | 90x90 | 71x71 | 10.5 | 22 | 61 |
| | CAL-HG-75MC | Monomer Cast Nylon(Including B) | | | | | | | | |
| | CAL-HG-75MCE | Conductive Monomer Cast Nylon(Including B) | | | | | | | | |
| | CAL-HG-75AU | PU(Including B) | | | | | | | | |
| | CAL-HG-75PB | Phenol(Including B) | | | | | | | | |



| | | | | |
|--|---|--|---|---|
| | | | | |
| GNB Wheel: Reinforced Nylon Tread: Reinforced Nylon (Including B) | MC Wheel: Monomer Cast Nylon Tread: Monomer Cast Nylon (Including B) | MCE Wheel: Conductive Monomer Cast Nylon Tread: Conductive Monomer Cast Nylon (Including B) | AU Wheel: Aluminum Tread: PU (Including B) | PB Wheel: Phenol Tread: Phenol (Including B) |

- LIGHT STAR Light Duty
- MIDDLE STAR Medium Duty
- HEAVY STAR Heavy Duty
- SHORT STAR Low-Profile Heavy Duty
- LOCK STAR Leveling
- STAINLESS STAR Stainless Steel
- LEAD STAR Towing
- SMOO STAR Shock Absorbing
- SILENT STAR Silence
- OFFICE STAR Office Equipment