

HT-S Type ϕ 50 65 75



BZP (Brilliant Zinc Plating) CP (Chromium Plating)

Single Bearing Double Bearing

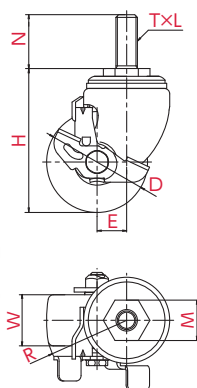
Single Stopper Double Stopper



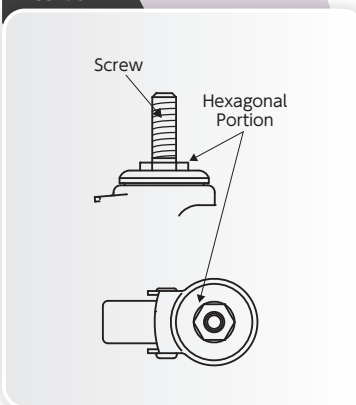
HT-50GNBS, M20x40



HT-75GNBS, M20x40



Mounting Method Screw-In Type



Usage

- Flat Trolley
- Hand Trolley
- Server Rack
- Roll Box Pallet
- Towing Trolley
- Office Chair
- Machinery and equipment
- Copying Machine
- Furniture
- Display Rack
- Refrigeration and cold storage showcase
- Others

The picture is a typical product image.

Order Example: **HT** - **50** **GNB** **S** , **M20** x **40**

Bracket Type | Wheel Diameter | Wheel Type | Stopper | Screw Diameter | Screw Length

Please set "Screw Diameter X Length" after product name



Wheel Diameter (D[mm])	Product No.	Wheel Material	Load Capacity [daN (kgf)]	Wheel Width (W[mm])	Mounting Height (H[mm])	Screw Diameter x Screw Length (T x N[mm])	Screw Pitch (L)	Opposite Side (M[mm])	Eccentricity (E[mm])	Turning Radius (R[mm])
50	HT-50GNBS	Reinforced Nylon	100(102.0)	28	74	M16x40	2	23	25	65
	HT-50MCS	Monomer Cast Nylon		25		M20x40	2.5	30		
	HT-50MCES	Conductive Monomer Cast Nylon								
65	HT-65GNBS	Reinforced Nylon(Including B)	150(153.0)	38	93	M16x40	2	30	22	67
	HT-65MCS	Monomer Cast Nylon(Including B)								
	HT-65MCES	Conductive Monomer Cast Nylon(Including B)								
	HT-65PBS	Phenol(Including B)								
75	HT-75GNBS	Reinforced Nylon(Including B)	160(163.2)	38	107	M16x40	2	30	22	67
	HT-75MCS	Monomer Cast Nylon(Including B)								
	HT-75MCES	Conductive Monomer Cast Nylon(Including B)								
	HT-75PBS	Phenol(Including B)								



GNB Wheel: Reinforced Nylon Tread: Reinforced Nylon	GNB Wheel: Reinforced Nylon Tread: Reinforced Nylon (Including B)	MC Wheel: Monomer Cast Nylon Tread: Monomer Cast Nylon	MC Wheel: Monomer Cast Nylon Tread: Monomer Cast Nylon (Including B)	MCE Wheel: Conductive Monomer Cast Nylon Tread: Conductive Monomer Cast Nylon	MCE Wheel: Conductive Monomer Cast Nylon Tread: Conductive Monomer Cast Nylon (Including B)	PB Wheel: Phenol Tread: Phenol (Including B)