

J type caster
(Anti-Static Wheel)

**Best Choice
for Heavy Goods Transporting!**
Anti-Static Wheel

With J Type

YUEI standard heavy duty caster J type.
Thickness of bracket, width of wheel, all parts are designed for heavy duty.



Design as optimal transporting for heavy goods!

Various types of size

Protect electrical equipment and medical equipment from static electricity.

**Electrical
Equipment**

**Medical
Equipment**

**Precision
Equipment**



Various types of size

We have 4" to 8", various size of wheel help your transporting.
Conductive Rubber, Anti-Oil Rubber, Phenolic Wheels are also available.

Best Choice for Clean Room Use!

Anti-Static Caster Wheel

Less catching dust by static electricity.
Prevent from static electricity failures of electrical equipment and medical equipment.



Anti-Static Wheel is non-carbon and doesn't make floor dirty by itself.

Best choice for clean room use due to less catching dust by static electricity.



Swivel



Swivel with Brake(left)



Swivel with Brake(right)



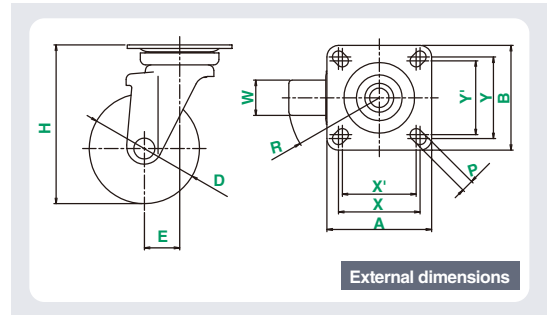
Fixed



Fixed with Brake(left)



Fixed with Brake(right)



External dimensions

UWEJ-100

Specification	Product Name	Wheel	Wheel dimension D(mm)	Wheel width W(mm)	Mounting height H(mm)	Mounting base AxB(mm)	Mounting dimension XxY(X'xY')(mm)	Hole dimension P(mm)	Offset E(mm)	Turning radius R(mm)	Standard load daN(kgf)
Swivel	UWEJ-100	Antistatic Urethane (including B)	100	32	144	95×95	74×74(67×67)	11	32	82	180(183.6)
	UWEJ-130		130	35	177	105×105	82×82(75×75)		40	105	250(255.0)
	UWEJ-150		150	38	198	120×120	94×94(87×87)	11.5	56	115	300(306.0)
	UWEJ-200		200	42	250	140×140	115×115(105×105)		156	400(408.0)	
Swivel with Brake (left)	UWEJB-100(L)		100	32	144	95×95	74×74(67×67)	11	32	112	180(183.6)
	UWEJB-130(L)		130	35	177	105×105	82×82(75×75)		40	133	250(255.0)
	UWEJB-150(L)		150	38	198	120×120	94×94(87×87)	11.5	56	156	300(306.0)
	UWEJB-200(L)		200	42	250	140×140	115×115(105×105)		156	400(408.0)	
Swivel with Brake (right)	UWEJB-100(R)		100	32	144	95×95	74×74(67×67)	11	32	112	180(183.6)
	UWEJB-130(R)		130	35	177	105×105	82×82(75×75)		40	133	250(255.0)
	UWEJB-150(R)		150	38	198	120×120	94×94(87×87)	11.5	56	156	300(306.0)
	UWEJB-200(R)		200	42	250	140×140	115×115(105×105)		156	400(408.0)	
Fixed	UWEK-100	Antistatic Urethane (including B)	100	32	144	115×80	80×45	11	—	—	180(183.6)
	UWEK-130		130	35	177	137×93	100×56		—	—	250(255.0)
	UWEK-150		150	38	198			—	—	300(306.0)	
	UWEK-200		200	42	250	151×102	112×63	11.5	—	—	400(408.0)
Fixed with Brake (left)	UWEKB-100(L)		100	32	144	115×80	80×45	11	—	—	180(183.6)
	UWEKB-130(L)		130	35	177	137×93	100×56		—	—	250(255.0)
	UWEKB-150(L)		150	38	198			—	—	300(306.0)	
	UWEKB-200(L)		200	42	250	151×102	112×63	11.5	—	—	400(408.0)
Fixed with Brake (right)	UWEKB-100(R)		100	32	144	115×80	80×45	11	—	—	180(183.6)
	UWEKB-130(R)		130	35	177	137×93	100×56		—	—	250(255.0)
	UWEKB-150(R)		150	38	198			—	—	300(306.0)	
	UWEKB-200(R)		200	42	250	151×102	112×63	11.5	—	—	400(408.0)

YUEI Co.,Ltd.

- TOKYO Branch Zip code:101-0021 2nd. Floor, Prostech Akihabara, 6-13-10, Sotokanda, Chiyoda-ku, Tokyo +81-3-5816-1155 (proxy)
- CHUBU Branch Zip code:486-0824 58 Warizuka-cho, Kasugai city, Aichi +81-568-86-3066 (proxy)
- OSAKA Branch Zip code:540-0025 2-1-10 Tokui-cho, Chuo-ku, Osakacity, Osaka +81-6-4791-3586
- HIROSHIMA Branch Zip code:733-0002 No.102, Shinko Building, 2-5-18, Kusunoki-cho, Nishi-ku, Hiroshima city, Hiroshima +81-82-509-2105
- Fukuoka Branch Zip code:812-0023 3F, NS Naraya building, 11-6, Naraya-machi, Hakata-ku, Fukuoka city Fukuoka +81-92-261-5607
- Overseas Sales Zip code:540-0025 2-1-10 Tokui-cho, Chuo-ku, Osakacity, Osaka +81-6-4791-3585

You can download the drawing via HP. www.yueicaster.co.jp

- The content of this flyer is a thing of Dec-2023 current. ● The color of the product may be a little different than real thing.
- Please note that appearance and specification may be changed for improving the product.